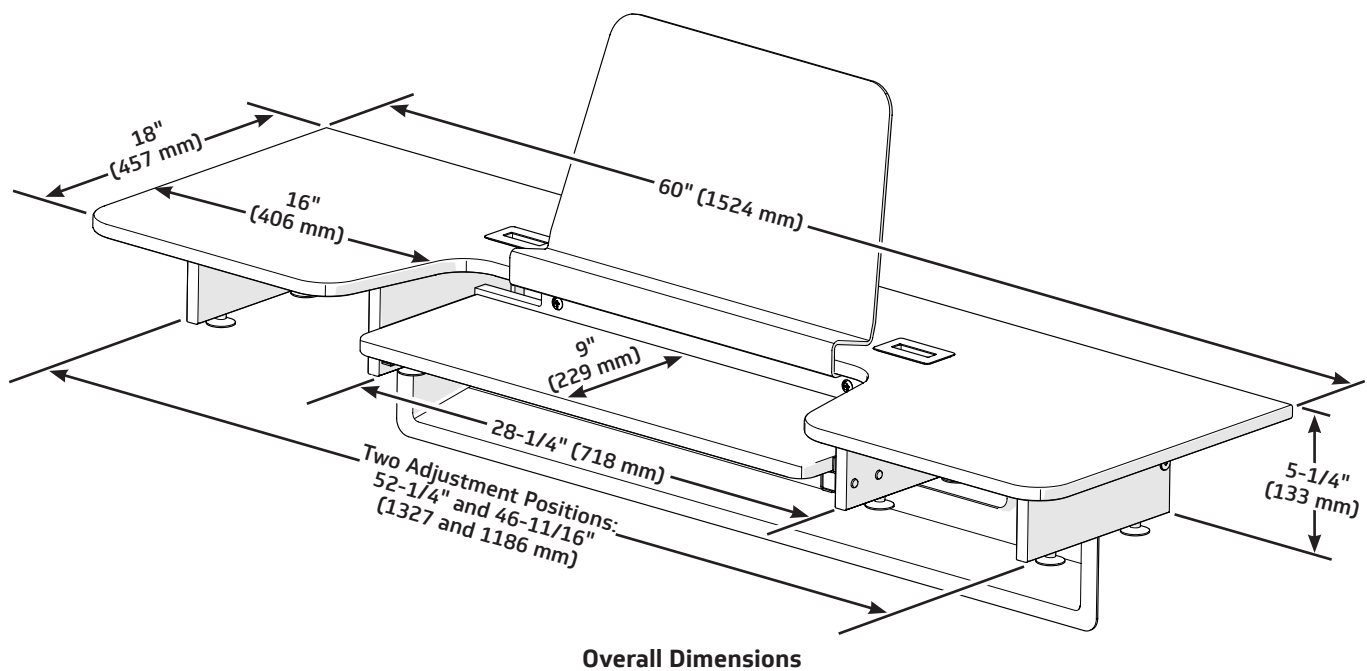
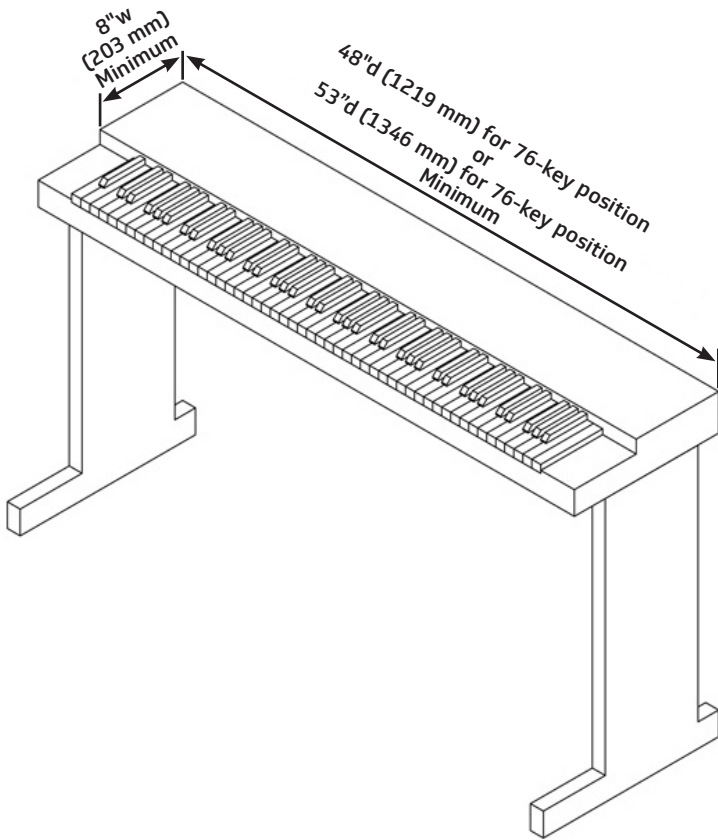


# Class Piano Workstation

- 225C024\_ 56 lb (25 kg)
- Construction is 3/4" (19 mm) thick industrial grade composite wood with no added formaldehyde and polyester laminate finish in Wenger standard colors
- Edging is 1/8" (3 mm) radiused PVC
- Includes 20"w x 11-1/2"h (508 x 292 mm) acrylic music holder
- Built-in 15 amp, 6-outlet power strip, UL listed
- Workstation measures 60"w x 18"d x 5-1/4"h (1524 x 457 x 133 mm) and accommodates both left and right hand usage (see image below)
- Minimum dimensions required for a piano top are 8"w (203 mm) and: 48"d (1219 mm) for 76-key position or 53"d (1346 mm) for 88-key position (see image on following page)
- Pull-out computer keyboard tray adjusts for many different types of applications
- Rubber cupped feet attach firmly to most makes of digital pianos with a smooth flat top surface
- Plastic cover to protect and conceal wiring is included
- Adjustable side panels to fit both 88 and 76-key free standing digital pianos
- Outside vertical supports have two adjustment positions at 52-1/4" and 46-11/16" (1327 and 1186 mm) wide to fit various electronic piano top profiles
- UL GREENGUARD certified - product certified for low chemical emissions: [ul.com/gg](http://ul.com/gg) - UL 2818
- Ten-year warranty
- U.S. Patent D365,465





**Minimum Dimensions Required for Piano Top**



© 2025 Wenger Corporation  
USA/2025-04

**Minnesota Location** Wenger Phone 800.4WENGER (493-6437) Wenger Worldwide +1.507.455.4100 | Parts & Service 800.887.7145 | wengercorp.com

GearBoss Phone 800.493.6437 | gearboss.com  
555 Park Drive, PO Box 448 | Owatonna | MN 55060

**New York Location** J.R. Clancy Phone 800.836.1885 JR Clancy Worldwide +1.315.451.3440 | jrclancy.com | 7041 Interstate Island Road | Syracuse | NY 13209